

Part Number: 76205D

General:

Meets requirements for 1 - 25 ampere switching of resistive loads to .75 power factor at voltages to 600 V AC and 250 V DC resistive loads

Electrical:

* Ratings:

- 25A/120 VAC
- 15A/600 VAC
- 20A/600 VAC (RESISTIVE)
- 3A/125 VDC
- 1A/250 VDC



- * Current carrying capacity: 25 amperes
- * Dielectric Withstanding Voltage: 2200 Vrms
- * Contact Resistance: Initial, 10 milliohms max.
- * Insulation Resistance: 100 Megohms min., initial

Mechanical:

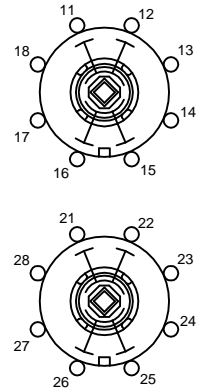
- * Sections: 5
- * Positions: Various (See contact tables)
- * Indexing: 45°
- * Rotational Life: 65,000 operations

Materials and Finishes:

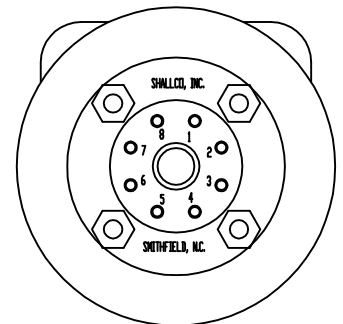
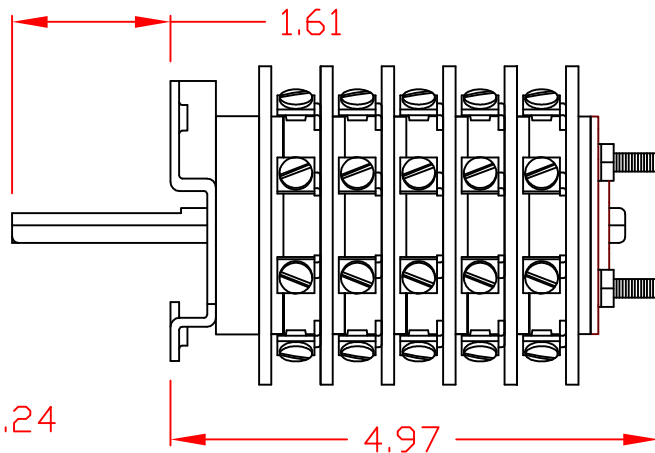
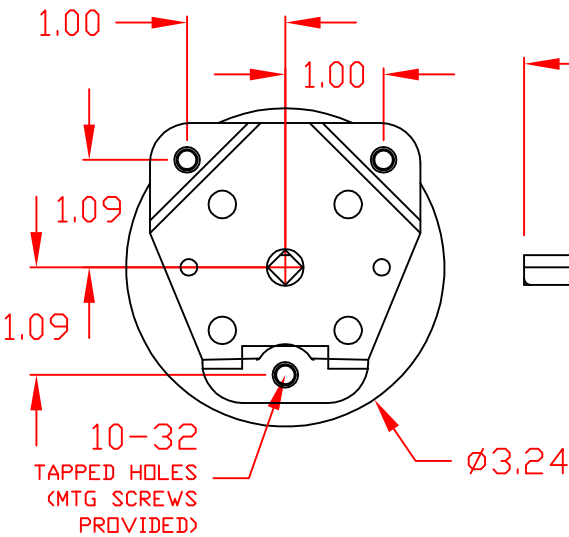
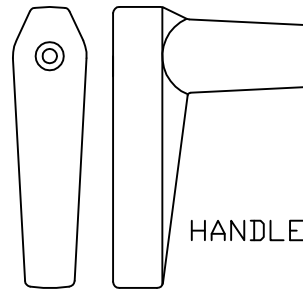
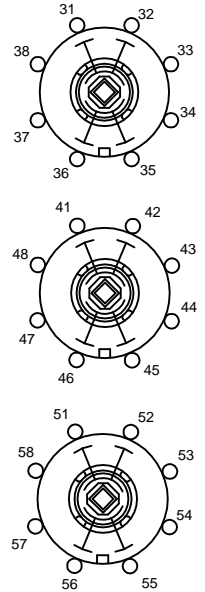
- * Rotors and Stators: Thermoset Plastic, UL 94VO
- * Rotor contacts: Phosphor bronze
- * Stator contacts: Silver plated copper, screw type
- * Terminal hardware: silver plated brass
- * Exterior Metal: Steel with zinc chromate finish
- * Knob: thermoset phenolic

TYPICAL CONTACT TABLES

DESCRIPTION	DECK	CONTACTS	POSITION		STOP LOCATION (REAR PANEL)	
			1	2		
10 POLE DOUBLE THROW WITH "OFF" - "ON" - "ONZ" (SPRING RETURN TO "OFF") JUMPERS REQUIRED FOR THIS CONFIGURATION	1	11-19	X	X	2 & 7	
	2	21-29	X	X		
	3	31-39	X	X		
	4	41-49	X	X		
	5	51-59	X	X		
	1	12-18	X	X		1 & 7
	2	22-28	X	X		
	3	32-38	X	X		
	4	42-48	X	X		
	5	52-58	X	X		



DESCRIPTION	DECK	CONTACTS	POSITION		STOP LOCATION (REAR PANEL)
			OFF	ON	
10 POLE SINGLE THROW "OFF" - "ON" (SPRING RETURN TO "OFF")	1	12-13, 16-17	X	X	1 & 7
	2	22-23, 26-27	X	X	
	3	32-33, 36-37	X	X	
	4	42-43, 46-47	X	X	
	5	52-53, 56-57	X	X	



DESCRIPTION	76205D
	REV -