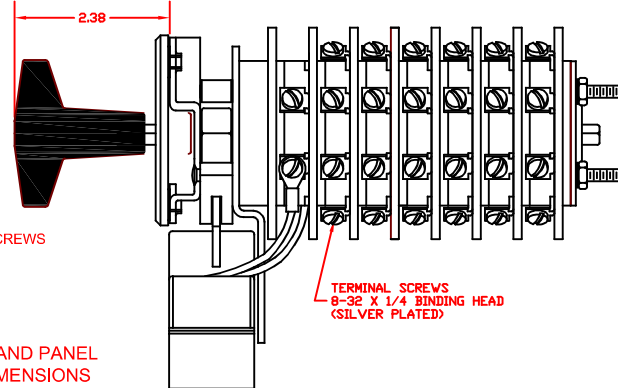
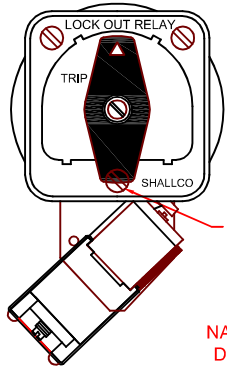
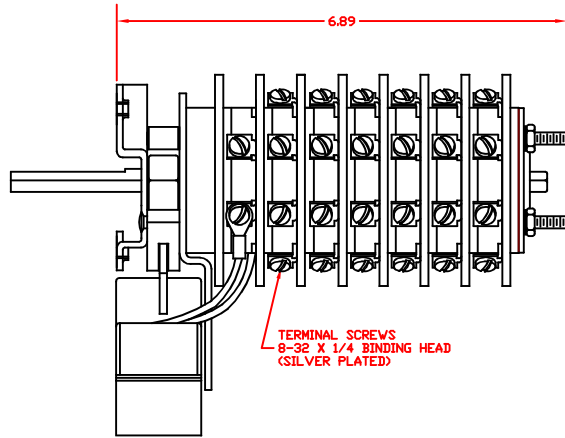
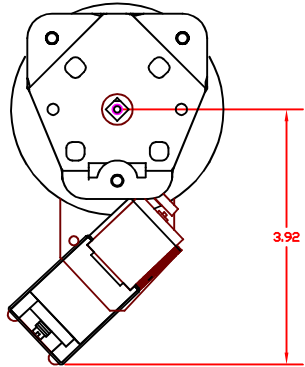
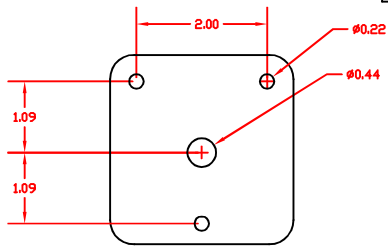


7606G



NAMEPLATE AND PANEL DRILLING DIMENSIONS



PART NUMBER 7606G

SPECIFICATIONS:

NO. OF POSITIONS: 2, TRIP AND RESET

NO. OF SECTIONS: 6

CONTACTS: 2 NORMALLY OPEN
2 NORMALLY CLOSED
PER DECK

ACTION: 45° POSITIVE TRIP DETENT

STATIONARY CONTACTS : SILVER OVER COPPER

NAMEPLATE: AS SHOWN

COIL SPECIFICATIONS:

OPERATING VOLTAGE: 125 VDC

THRESHOLD VOLTAGE: 70 VDC

OPERATING RANGE: 90 - 140 VDC

THIS LOCK-OUT RELAY IS SUPPLIED WITH A MECHANICAL DELAY CALIBRATED FOR TRIP OPERATION AT 90 VDC WITH A THRESHOLD OF 70 VDC. SEE SHEET 2 FOR VERIFICATION OF PROPER COIL OPERATION

ELECTRICAL RATINGS:

25 A/120 VAC

15 A/600 VAC

20A/600 VAC (RESISTIVE)

3 A/125 VDC

1 A/250 VDC



OVERLOAD CURRENT (50 OPERATIONS):

95 A/120 VAC

65 A/240 VAC

35 A/600 VAC

DIELECTRIC STRENGTH: 2200 VRMS

INSULATION RESISTANCE: 100 MEGOHMS INITIAL

CONTACT RESISTANCE: 10 MILLIOHMS MAX. INITIAL

DECK	CONTACTS	POSITION	
		TRIP	RESET
1	11 13		X
	12 18	X	
	15 17		X
	16 14	X	
2	21 23		X
	22 28	X	
	25 27		X
	26 24	X	
3	31 33		X
	32 38	X	
	35 37		X
	36 34	X	
4	41 43		X
	42 48	X	
	45 47		X
	46 44	X	
5	51 53		X
	52 58	X	
	55 57		X
	56 54	X	
6	61 63		X
	62 68	X	
	65 67		X
	66 64	X	

DESCRIPTION

LOCK-OUT RELAY SPECIFICATION SHEET



308 COMPONENTS DRIVE
SMITHFIELD, NC 27577 USA

DRAWN P.DORMAN 12-2-13

SCALE 1X

PART NUMBER

7606G

REV

LIT	DESCRIPTION	DATE	AP
	SEE SHT 1 FOR REVISIONS		

LOCK-OUT RELAYS (LOR)

GENERAL OPERATION:

THE HANDLE OF THE LOR MUST BE MANUALLY ROTATED CLOCKWISE TO PLACE THE UNIT IN THE "RESET" POSITION (SEE FIGURE A)

WHEN A PREDETERMINED CONDITION EXISTS, A SIGNAL WILL BE SENT TO S1 WHICH WILL ACTIVATE THE COIL AND CAUSE THE LOR TO "TRIP". THE "B" AND "G" CONTACTS ON THE CONTROL DECK PROVIDE THE CONNECTION TO THE CONTROL CIRCUIT THROUGH S1 WHICH CAN BE A CONTACT OF ANY TYPE I.E. SWITCH, RELAY.... THE LOR CONTACTS IN FIGURE "B" ARE IN THE "TRIPPED" POSITION.

THE LOR WILL REMAIN IN THE "TRIPPED" POSITION UNTIL MANUALLY RESET.

FIGURE A - RESET POSITION

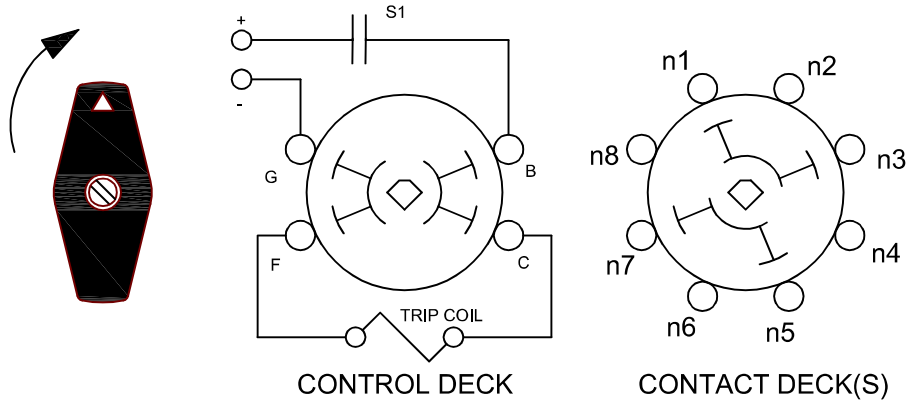


FIGURE B - TRIP POSITION

