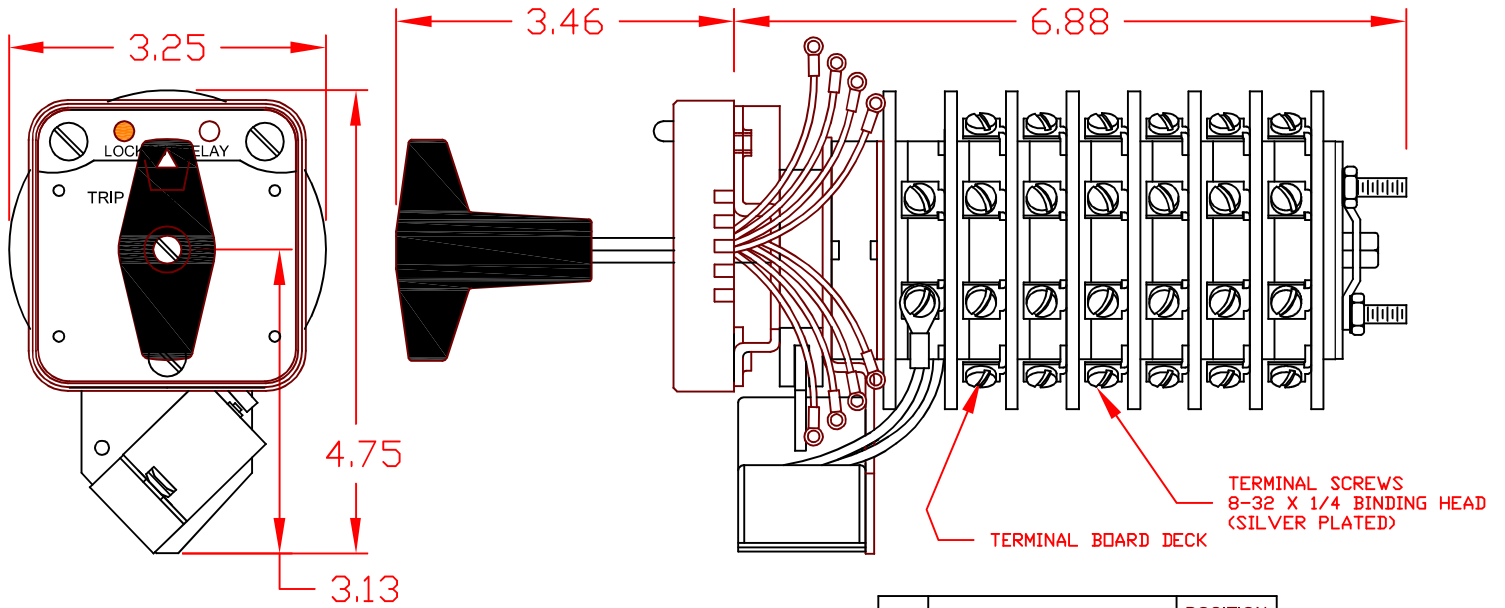


7605B24VDCBXX



SPECIFICATIONS:

NO. OF POSITIONS: 2, TRIP AND RESET
 NO. OF SECTIONS: 5
 CONTACTS: 2 NORMALLY OPEN
 2 NORMALLY CLOSED
 PER DECK
 ACTION: 45° POSITIVE TRIP DETENT
 STATIONARY CONTACTS : SILVER OVER COPPER
 NAMEPLATE: AS SHOWN

COIL/LIGHTED PANEL SPECIFICATIONS:
 OPERATING VOLTAGE: 24 VDC
 OPERATING RANGE: 18 - 50 VDC
 CURRENT AT RATED VOLTAGE: 3.1 AMPS

ELECTRICAL RATINGS:
 25A/120 VAC 15A/600 VAC
 20A/600 VAC (RESISTIVE)
 3A/125 VDC 1A/250 VDC



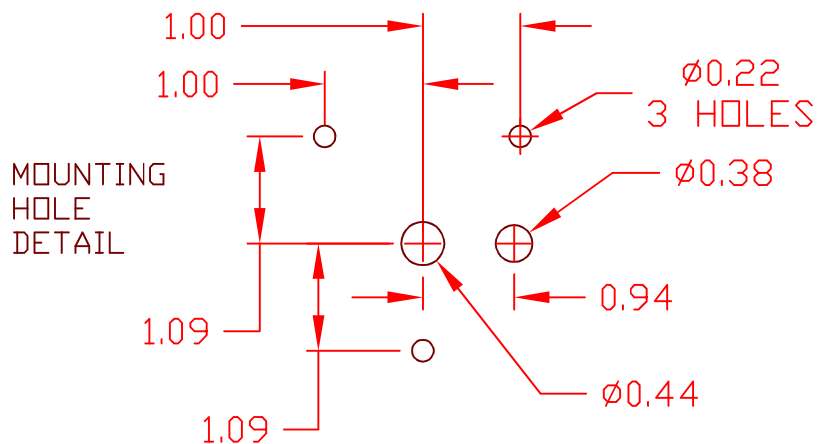
OVERLOAD CURRENT
 (50 OPERATIONS):
 95 A/120 VAC
 65 A/240 VAC
 35 A/600 VAC

DIELECTRIC STRENGTH:
 2200 VRMS

INSULATION RESISTANCE:
 100 MEGOHMS INITIAL

CONTACT RESISTANCE:
 10 MILLIOHMS MAX. INITIAL

DECK	CONTACTS	POSITION	
		TRIP	RESET
1	11 — — 13		X
	12 — — 18	X	
	15 — — 17		X
	16 — — 14	X	
2	21 — — 23		X
	22 — — 28	X	
	25 — — 27		X
3	26 — — 24	X	
	31 — — 33		X
	32 — — 38	X	
	35 — — 37		X
4	36 — — 34	X	
	41 — — 43		X
	42 — — 48	X	
	45 — — 47		X
5	46 — — 44	X	
	51 — — 53		X
	52 — — 58	X	
	55 — — 57		X
	56 — — 54	X	

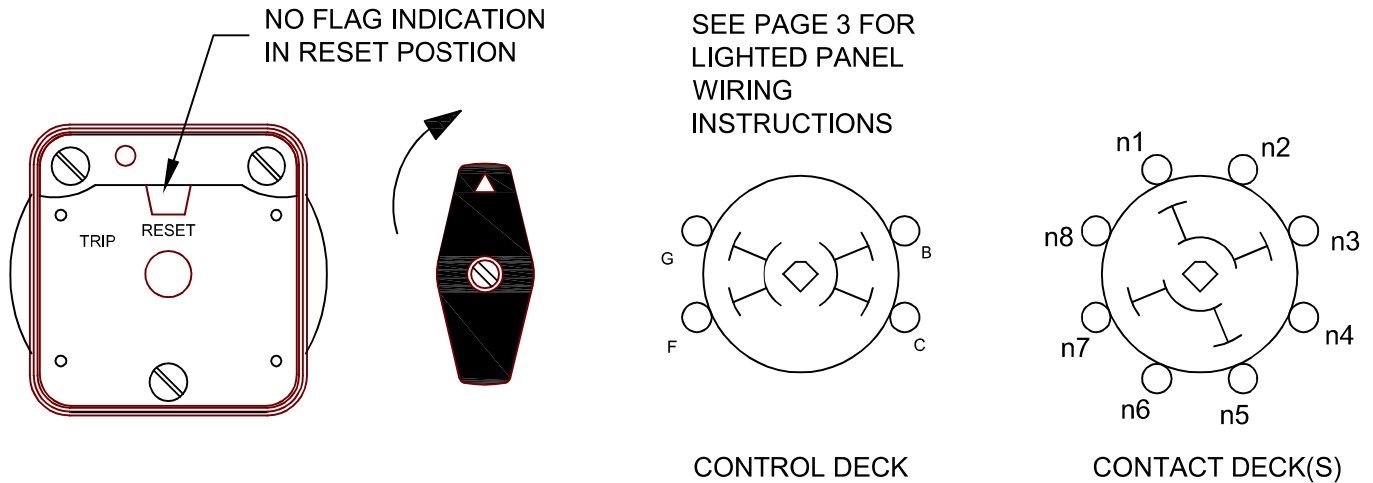


LOCK-OUT RELAYS (LOR)

GENERAL OPERATION:

THE HANDLE OF THE LOR MUST BE MANUALLY ROTATED CLOCKWISE TO PLACE THE UNIT IN THE "RESET" POSITION (SEE FIGURE A)

FIGURE A - RESET POSITION



WHEN A PREDETERMINED CONDITION EXISTS, A SIGNAL WILL BE SENT TO S1 WHICH WILL ACTIVATE THE COIL AND CAUSE THE LOR TO "TRIP". THE "B" AND "G" CONTACTS ON THE CONTROL DECK PROVIDE THE CONNECTION TO THE CONTROL CIRCUIT THROUGH S1 WHICH CAN BE A CONTACT OF ANY TYPE I.E. SWITCH, RELAY.... THE LOR CONTACTS IN FIGURE "B" ARE IN THE "TRIPPED" POSITION.

THE LOR WILL REMAIN IN THE "TRIPPED" POSITION UNTIL MANUALLY RESET.

FIGURE B - TRIP POSITION

