

SHALLCO SERIES 26

Part Number: 2650D 125VDCADC

General:

Meets requirements for 1 - 25 ampere switching of resistive loads to .75 power factor at voltages to 600 V AC and 250 VDC resistive loads

Electrical:

- * Ratings: 25A/120 VAC
- 15A/600 VAC
- 20A/600 VAC (RESISTIVE)
- 3A/125 VDC
- 1A/250 VDC



- * Current carrying capacity: 25 amperes
- * Dielectric Withstanding Voltage: 2200 Vrms
- * Contact Resistance: Initial, 10 milliohms max.
- * Insulation Resistance: 100 Megohms min., initial

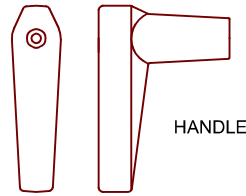
*Lighted panel voltage 125 VDC

Mechanical:

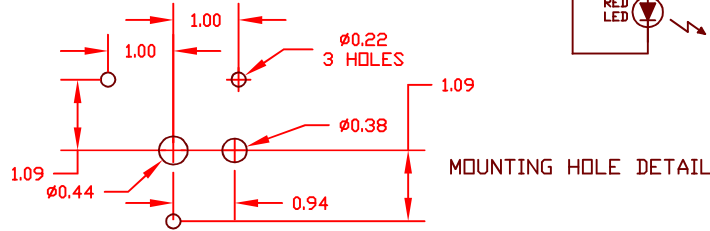
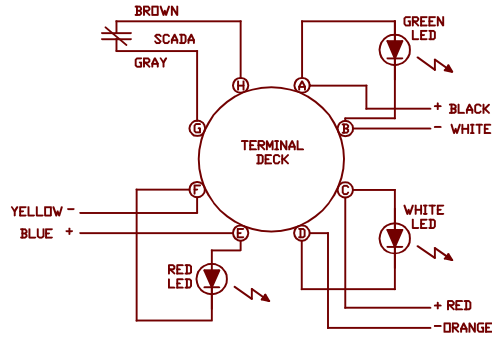
- * Sections: 3
- * Positions: See contact table
- * Detent type: Spring return with Pull to Lock in extreme counter-clockwise position.
- * Indexing: 45°
- * Rotational Life: 65,000 operations

Materials and Finishes:

- * Rotors and Stators: Thermoset Plastic, UL 94VO
- * Rotor contacts: Phosphor bronze
- * Stator contacts: Silver plated copper, screw type
- * Terminal hardware: silver plated brass
- * Exterior Metal: Steel with zinc chromate finish
- * Knob: thermoset phenolic



HANDLE



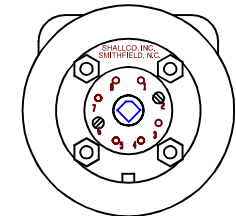
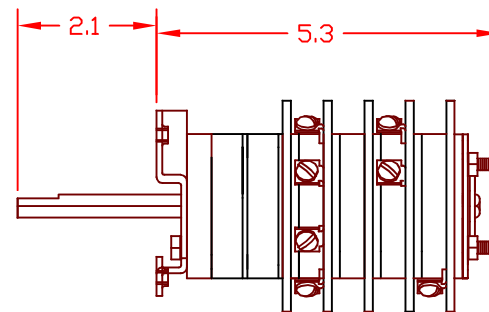
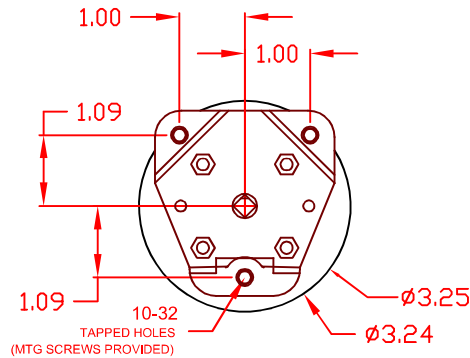
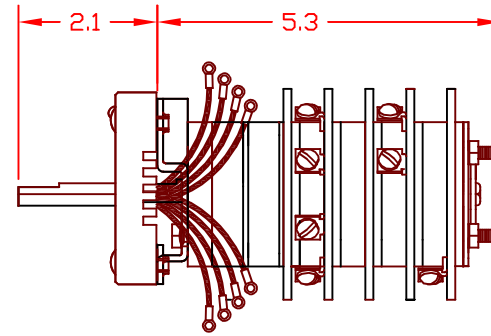
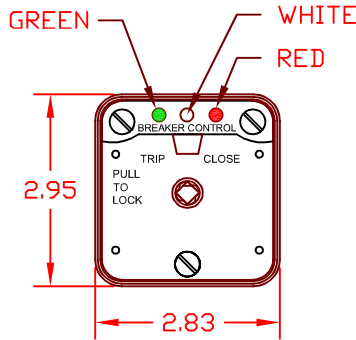
MOUNTING HOLE DETAIL



308 COMPONENTS DRIVE
SMITHFIELD, NC 27577 USA

DECK	CONTACTS				POSITION				
	11	12	13	18	PULL TO LOCK	TRIP	nat	neg	CLOSE
1	○			○	×	×			
2	○			○					×
3	○			○	×	×	×	×	×

NOTE: DECKS 1 AND 3 ARE MAKE-BEFORE-BREAK



2650D 125VDCADC



308 COMPONENTS DRIVE
SMITHFIELD, NC 27577 USA