

Part Number: 26209B

General:

Meets requirements for 1 - 25 ampere switching of resistive loads to .75 power factor at voltages to 600 VAC and 250 V DC resistive loads

Electrical Ratings: 25A/120 VAC
 15A/600 VAC
 20A/600 VAC (RES)
 3A/125 VDC
 1A/250 VDC



- * Current carrying capacity: 25 amperes
- * Dielectric Withstanding Voltage: 2200 Vrms
- * Contact Resistance: Initial, 10 milliohms max.
- * Insulation Resistance: 100 Megohms min., initial

Mechanical:

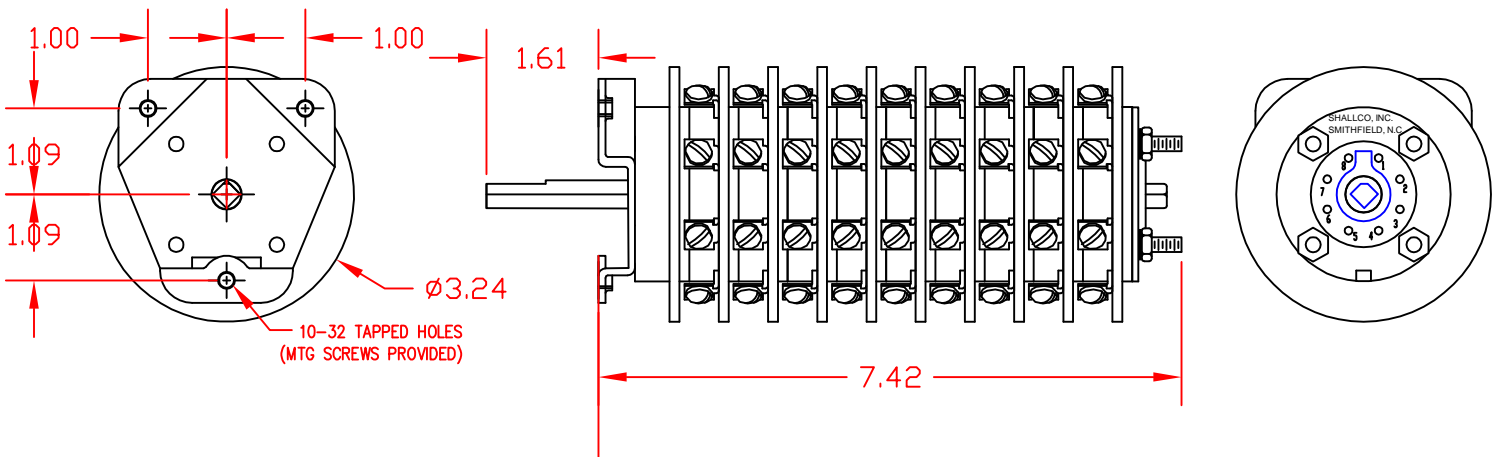
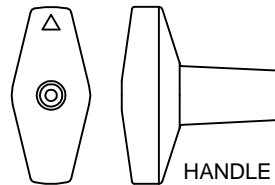
- * Sections: 9
- * Positions: 8 Adjustable (See Contact Table)
- * Indexing: 45° positive detent
- * Rotational Life: 65,000 operations

Materials and Finishes:

- * Rotors and Stators: Thermoset Plastic UL 94VO
- * Rotor contacts: Phosphor bronze
- * Stator contacts: Silver plated copper screw type
- * Terminal hardware: silver plated brass
- * Exterior Metal: Steel with zinc chromate finish

CONTACT TABLE

DECK	CONTACTS	POSITION							
		1	2	3	4	5	6	7	8
1	11	12							
	12	13	X						
	13	14		X					
	14	15			X				
	15	16				X			
	16	17	X				X		
	17	18		X				X	
	18	11							X
2	21	22	X						
	22	23		X					
	23	24			X				
	24	25				X			
	25	26	X				X		
	26	27		X				X	
	27	28						X	
	28	21						X	
3	31	32	X						
	32	33		X					
	33	34			X				
	34	35				X			
	35	36	X				X		
	36	37		X				X	
	37	38						X	
	38	31						X	
4	41	42	X						
	42	43		X					
	43	44			X				
	44	45				X			
	45	46	X				X		
	46	47		X				X	
	47	48						X	
	48	41						X	
5	51	52	X						
	52	53		X					
	53	54			X				
	54	55				X			
	55	56	X				X		
	56	57		X				X	
	57	58						X	
	58	51						X	
6	61	62	X						
	62	63		X					
	63	64			X				
	64	65				X			
	65	66	X				X		
	66	67		X				X	
	67	68						X	
	68	61						X	
7	71	72	X						
	72	73		X					
	73	74			X				
	74	75				X			
	75	76	X				X		
	76	77		X				X	
	77	78						X	
	78	71						X	
8	81	82	X						
	82	83		X					
	83	84			X				
	84	85				X			
	85	86	X				X		
	86	87		X				X	
	87	88						X	
	88	81						X	
9	91	92	X						
	92	93		X					
	93	94			X				
	94	95				X			
	95	96	X				X		
	96	97		X				X	
	97	98						X	
	98	91						X	



26209B

REV. -