

Part Number: 26208B

**General:**

Meets requirements for 1 - 25 ampere switching of resistive loads to .75 power factor at voltages to 600 VAC and 250 V DC resistive loads

**Electrical Ratings:** 25A/120 VAC  
 15A/600 VAC  
 20A/600 VAC (RES)  
 3A/125 VDC  
 1A/250 VDC



- \* Current carrying capacity: 25 amperes
- \* Dielectric Withstanding Voltage: 2200 Vrms
- \* Contact Resistance: Initial, 10 milliohms max.
- \* Insulation Resistance: 100 Megohms min., initial

**Mechanical:**

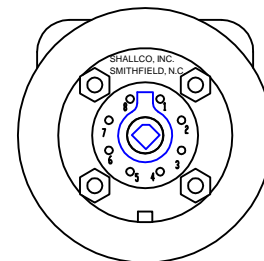
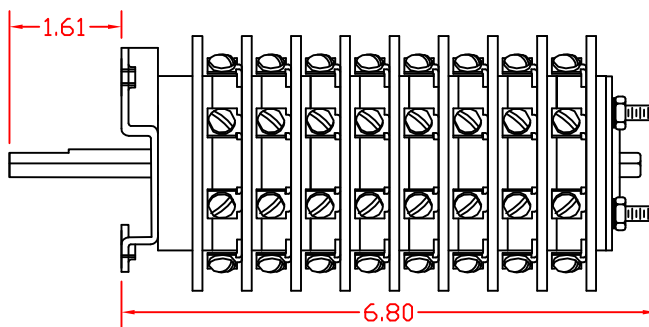
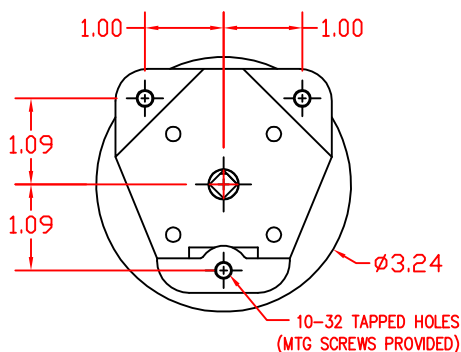
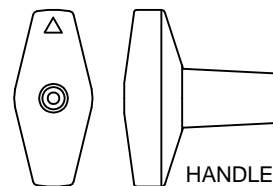
- \* Sections: 8
- \* Positions: 8 Adjustable (See Contact Table)
- \* Indexing: 45° positive detent
- \* Rotational Life: 65,000 operations

**Materials and Finishes:**

- \* Rotors and Stators: Thermoset Plastic UL 94VO
- \* Rotor contacts: Phosphor bronze
- \* Stator contacts: Silver plated copper screw type
- \* Terminal hardware: silver plated brass
- \* Exterior Metal: Steel with zinc chromate finish

CONTACT TABLE

| DECK | CONTACTS | POSITION |   |   |   |   |   |   |   |
|------|----------|----------|---|---|---|---|---|---|---|
|      |          | 1        | 2 | 3 | 4 | 5 | 6 | 7 | 8 |
| 1    | 11       | X        |   |   |   | X |   |   |   |
|      | 12       |          | X |   |   |   | X |   |   |
|      | 13       |          |   | X |   |   |   | X |   |
|      | 14       |          |   |   | X |   |   |   | X |
|      | 15       | X        |   |   |   |   | X |   |   |
|      | 16       |          | X |   |   |   |   | X |   |
|      | 17       |          |   | X |   |   |   |   | X |
|      | 18       | X        |   |   |   |   |   | X |   |
| 2    | 21       | X        |   |   |   | X |   |   |   |
|      | 22       |          | X |   |   |   | X |   |   |
|      | 23       |          |   | X |   |   |   | X |   |
|      | 24       |          |   |   | X |   |   |   | X |
|      | 25       | X        |   |   |   |   | X |   |   |
|      | 26       |          | X |   |   |   |   | X |   |
|      | 27       |          |   | X |   |   |   |   | X |
|      | 28       | X        |   |   |   |   |   | X |   |
| 3    | 31       | X        |   |   |   | X |   |   |   |
|      | 32       |          | X |   |   |   | X |   |   |
|      | 33       |          |   | X |   |   |   | X |   |
|      | 34       |          |   |   | X |   |   |   | X |
|      | 35       | X        |   |   |   |   | X |   |   |
|      | 36       |          | X |   |   |   |   | X |   |
|      | 37       |          |   | X |   |   |   |   | X |
|      | 38       | X        |   |   |   |   |   | X |   |
| 4    | 41       | X        |   |   |   | X |   |   |   |
|      | 42       |          | X |   |   |   | X |   |   |
|      | 43       |          |   | X |   |   |   | X |   |
|      | 44       |          |   |   | X |   |   |   | X |
|      | 45       | X        |   |   |   |   | X |   |   |
|      | 46       |          | X |   |   |   |   | X |   |
|      | 47       |          |   | X |   |   |   |   | X |
|      | 48       | X        |   |   |   |   |   | X |   |
| 5    | 51       | X        |   |   |   | X |   |   |   |
|      | 52       |          | X |   |   |   | X |   |   |
|      | 53       |          |   | X |   |   |   | X |   |
|      | 54       |          |   |   | X |   |   |   | X |
|      | 55       | X        |   |   |   |   | X |   |   |
|      | 56       |          | X |   |   |   |   | X |   |
|      | 57       |          |   | X |   |   |   |   | X |
|      | 58       | X        |   |   |   |   |   | X |   |
| 6    | 61       | X        |   |   |   | X |   |   |   |
|      | 62       |          | X |   |   |   | X |   |   |
|      | 63       |          |   | X |   |   |   | X |   |
|      | 64       |          |   |   | X |   |   |   | X |
|      | 65       | X        |   |   |   |   | X |   |   |
|      | 66       |          | X |   |   |   |   | X |   |
|      | 67       |          |   | X |   |   |   |   | X |
|      | 68       | X        |   |   |   |   |   | X |   |
| 7    | 71       | X        |   |   |   | X |   |   |   |
|      | 72       |          | X |   |   |   | X |   |   |
|      | 73       |          |   | X |   |   |   | X |   |
|      | 74       |          |   |   | X |   |   |   | X |
|      | 75       | X        |   |   |   |   | X |   |   |
|      | 76       |          | X |   |   |   |   | X |   |
|      | 77       |          |   | X |   |   |   |   | X |
|      | 78       | X        |   |   |   |   |   | X |   |
| 8    | 81       | X        |   |   |   | X |   |   |   |
|      | 82       |          | X |   |   |   | X |   |   |
|      | 83       |          |   | X |   |   |   | X |   |
|      | 84       |          |   |   | X |   |   |   | X |
|      | 85       | X        |   |   |   |   | X |   |   |
|      | 86       |          | X |   |   |   |   | X |   |
|      | 87       |          |   | X |   |   |   |   | X |
|      | 88       | X        |   |   |   |   |   | X |   |



26208B

REV. A